

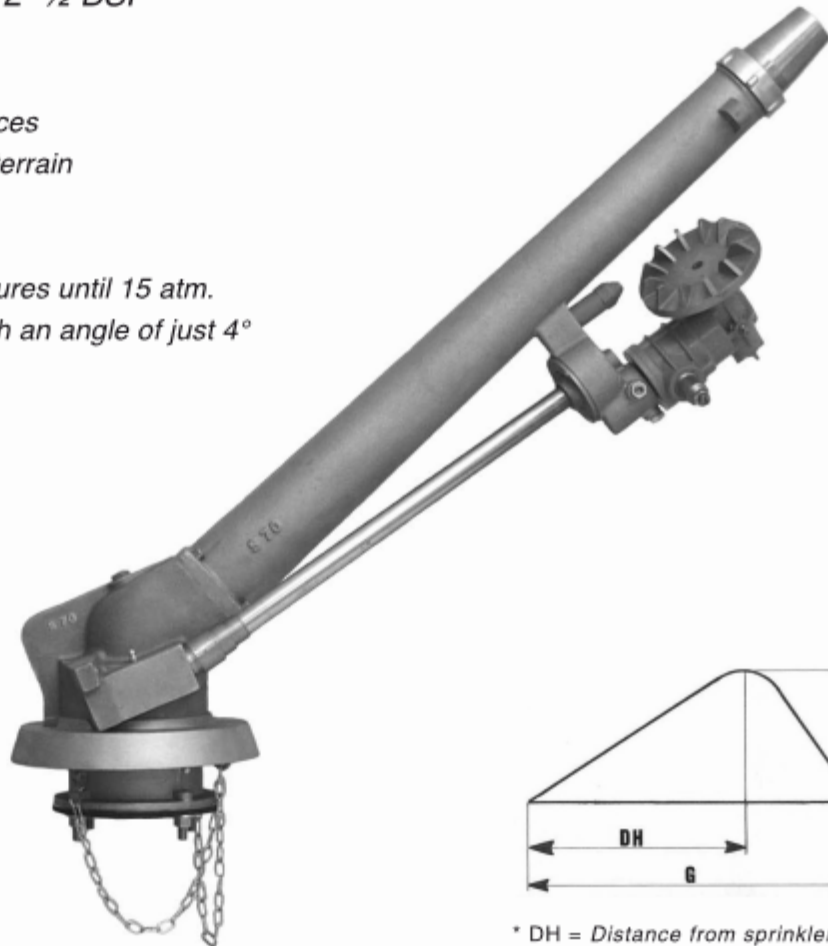
S70 - 43° DUST SUPPRESSION

Nodolini flange connection

Big flange connection (Euroflange)

Female thread connection 2" ½ BSP

- Turbine Sprinkler
- Conical pipe: high performances
- Perfect functioning on steep terrain
- No vibrations
- No break
- Strong construction for pressures until 15 atm.
- The sprinkler can operate with an angle of just 4°



* DH = Distance from sprinkler to apogee

Nozzle ø mm	Pressure Atm.	Discharge l/h	Length of jet G m	Apogee H m	Distance DH* m
26	4,0 - 5,0 - 6,0	860 - 957 - 1060	47 - 51 - 53	17 - 19 - 21	31 - 35 - 37
28	4,0 - 5,0 - 6,0	997 - 1110 - 1225	49 - 54 - 57	18 - 22 - 25	32 - 38 - 40
30	5,0 - 6,0 - 7,0	1273 - 1394 - 1520	56 - 57 - 58	21 - 24 - 26	39 - 40 - 41
32	5,0 - 6,0 - 7,0	1475 - 1587 - 1735	61 - 63 - 66	22 - 25 - 27	40 - 42 - 43
34	5,0 - 6,0 - 7,0	1645 - 1792 - 1935	62 - 64 - 67	23 - 25.5 - 27.5	41 - 43 - 44
36	6,0 - 7,0 - 8,0	2008 - 2169 - 2316	68 - 71 - 73	25 - 29.5 - 34	48 - 50 - 53

The technical characteristics are indicative and not binding